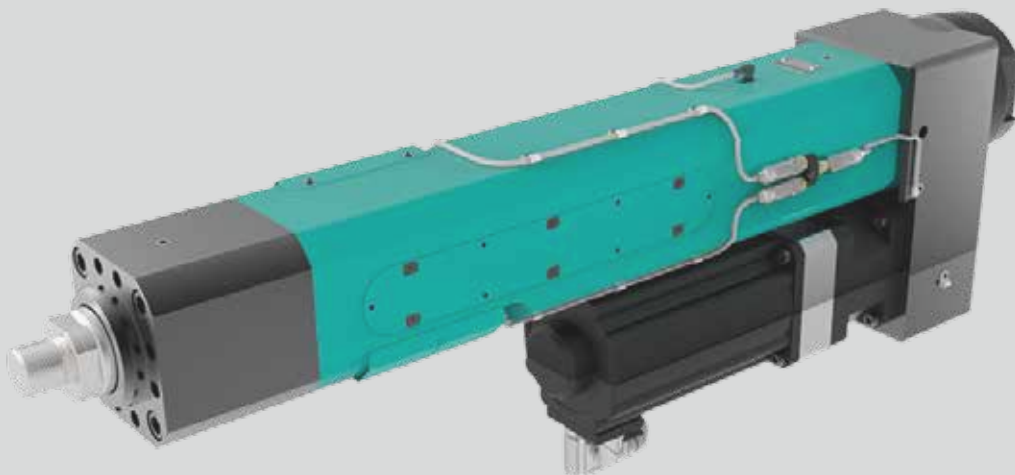


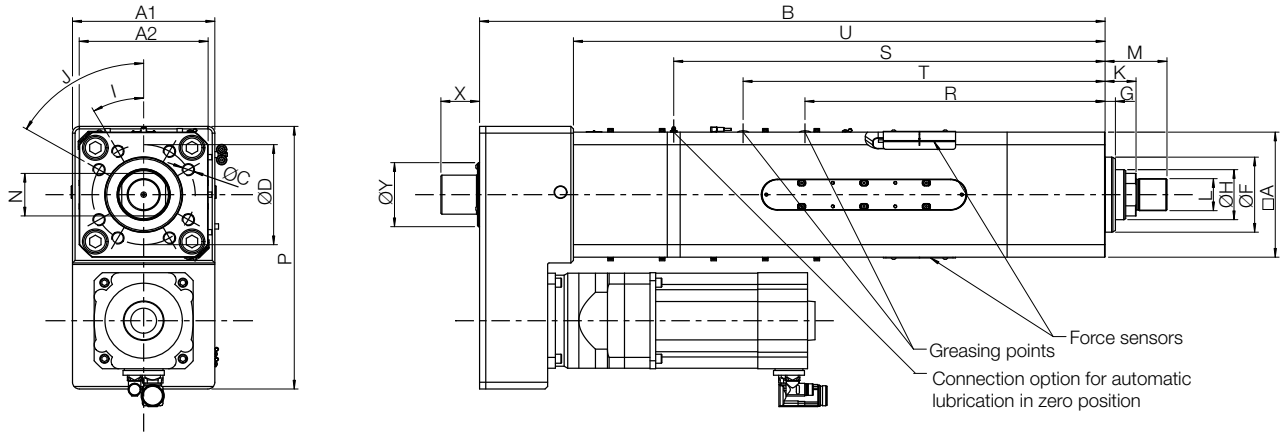
TOX®-ElectricDrive Type EPMK

Data sheet 40.20
2019/09



TOX®-Electric Power Module

Type EPMK 300 – 1000 kN



Dimensions and weights

Type	Stroke mm	Max. Nominal force kN	Weight approx. kg
EPMK 300.030.300	300	300	533
EPMK 400.030.300	300	400	543
EPMK 500.030.300	300	500	886
EPMK 700.030.300	300	700	1042
EPMK 1000.030.300	300	1000	1140

Type	A	A1	A2	B	C	D	F ₁₇	G	H	I	J	K ¹⁾	L	M ¹⁾	N ²⁾	P	R	S	T	U	V ₉₆	W	X	Y
EPMK 300.030.300	250	276	250	1218	8xM24x40	200	150	20	100	30°	60°	60	M64x2	120	85	525	582	836.5	702	1031	-	-	60	114
EPMK 400.030.300	250	276	250	1260	8xM24x40	200	150	20	100	30°	60°	60	M64x2	120	85	525	432	801.5	552	1074	-	-	60	114
EPMK 500.030.300	315	330	321	1435	8xM24x48	250	200	20	125	30°	60°	60	M64x2	120	100	610	537	946.5	657	1243	-	-	80	110
EPMK 700.030.300	315	330	321	1651	12xM24x48	250	200	20	150	30°	60°	60	M80x2	140	125	610	622	1066.5	742	1459	-	-	80	110
EPMK 1000.030.300	340	355	340	1693	12xM24x48	250	200	20	150	30°	60°	60	M80x2	140	125	695	622	1091.5	742	1456	-	-	80	110

Dimensions in mm

Specifications EPMK	300.030.300	400.030.300	500.030.300	700.030.300	1000.030.300
Mechanical					
Nominal pressing force	300 kN	400 kN	500 kN	700 kN	1000 kN
Nominal pulling force	300 kN	400 kN	500 kN	700 kN	500 kN
Stroke ²⁾	300 mm	300 mm	300 mm	300 mm	300 mm
Max. speed ²⁾	90 mm/s	50 mm/s	50 mm/s	37.5 mm/s	50 mm/s
Max. short-term overload	10% of rated force				
Distance repeatability ³⁾	< ± 0.01 mm				
Sensors					
Load cell ⁴⁾	15 – 300 kN	20 – 400 kN	25 – 500 kN	35 – 700 kN	50 – 1000 kN
Accuracy	< +/- 0.5% of rated force, pressing				< +/- 1.0% of rated force, pressing
Resolver	■	■	■	■	■
Resolution (theoretically)	0.0015 mm	0.0015 mm	0.0015 mm	0.0015 mm	0.0025 mm
Electrical					
Protection class	Drive IP54 (as component)				
Mains supply	see servo controller				
Climatic conditions	+ 10° to + 40° C, from 40° C performance loss, max. 55° C; air moisture < 75 %, without condensation				
Design	Planetary threaded spindle with gear unit				Motor with water cooling

¹⁾ Zero position of drive is the reference (marked) position + 3 mm

²⁾ Specials on request (colour, stroke, speed, ...)

³⁾ In thermal transient condition

⁴⁾ Recommended operating range 5 – 100%